

Series
DRF-OV



Series
DRFI-OV



The destratifier is mounted with an arched fixing bracket with position fixation pitch each 15° and a thread-connected mounting and a safety ropes, each 3 m long.

▲ **Motor**

The destratifier is equipped with a single phase asynchronous external rotor motor and an axial impeller. The motors have built-in overheating protection with automatic restart. The motors are equipped with ball bearing. Ingress Protection Rating IP 44.

One of the most efficient energy saving techniques. The destratifier is designed to prevent warm air accumulation in the building upper area and to direct warm air to the occupied area.

■ **Applications**

The destratifiers are used in industrial workshops, stocks, supermarkets, exhibition and concert halls, closed sport halls, etc.

The destratifiers are recommended for use in large premises above 5 m height where warmer air due to natural air convection is accumulated closer to ceiling whereas air temperature in the occupied area (2 m above floor level) remains lower.

■ **Description**

Warm air is accumulated above in the heated premises.

Air temperature rises per 1 °C for each meter upwards, which results in heat losses through the roof.

The destratifiers direct warm accumulated under the ceiling to the occupied area. The temperature difference between a floor and a ceiling is minimized. The destratifiers are designed to reduce heat losses and heating costs.

■ **Design**

The destratifier consists of an axial fan that is attached to the casing with anti-vibration mounts.

The DRF-OV and DRFI-OV destratifier casing is made of polymer-coated steel.

The DRFI-OV casing is perforated and has mineral wool insulation to attenuate sound produced by the axial fan.

The directing vanes are located at outlet from the DRFI-OV to provide a long linear air flow.

■ **Speed control**

Step or smooth speed control with a thyristor or autotransformer speed controller.

One speed controller is able to control several destratifiers on condition that the total power and operating current do not exceed the controller rated parameters.

■ **Mounting**

The destratifier is for indoor installation in weather-protected premises. The destratifiers are designed for mounting under a ceiling with a directing nozzle downwards.

The destratifier must be either rigidly fixed to a bearing structure or for suspended with a mounting kit supplied with the delivery.

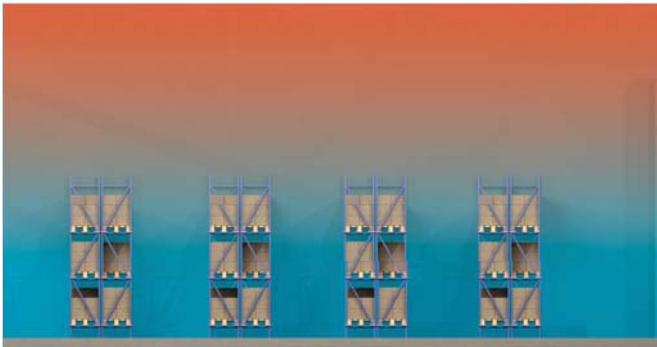
The destratifier is connected to power mains via an external terminal box. Electric connections and installations must comply with the product manual and a wiring diagram on the terminal block.

■ **Selection**

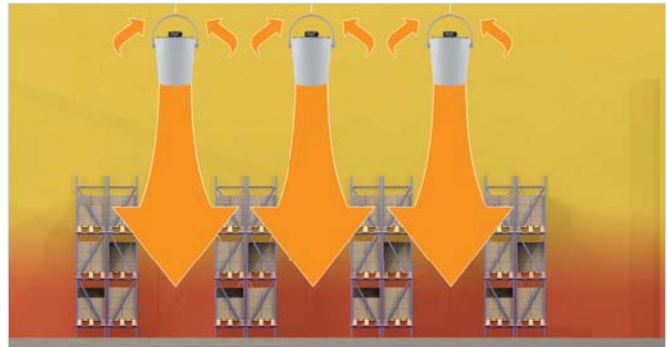
The destratifier selection is based on the assumption that the destratifier operation distance correlates to the premise height as 1:1.25. Number of the destratifiers to be installed in the premise is selected on the assumption that the total air capacity is 1 to 2 premise volume.



DRF-OV application example at a stock.



Uneven distribution of warm and cold air flows in the room without destratifiers.



Even distribution of warm and cold air flows in the room with destratifiers.

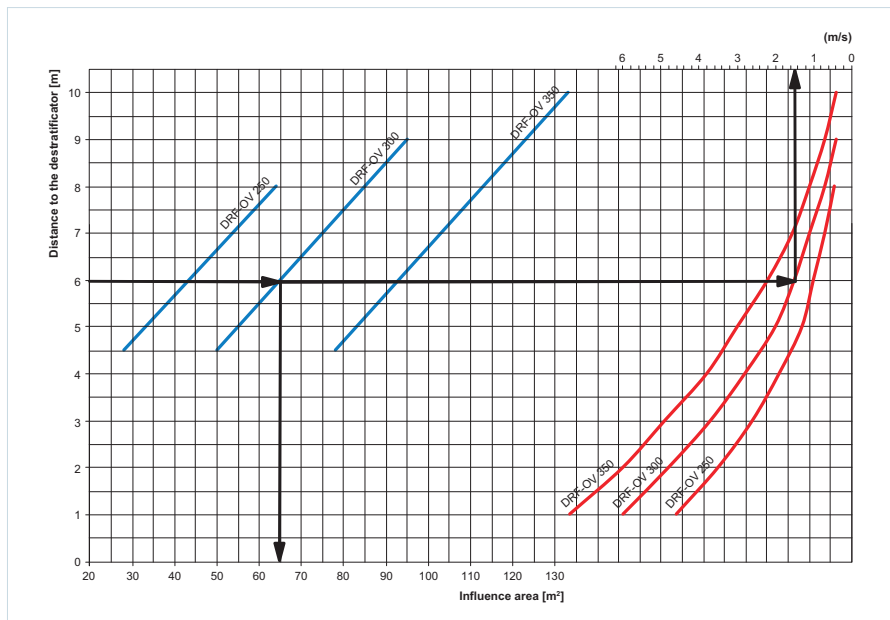
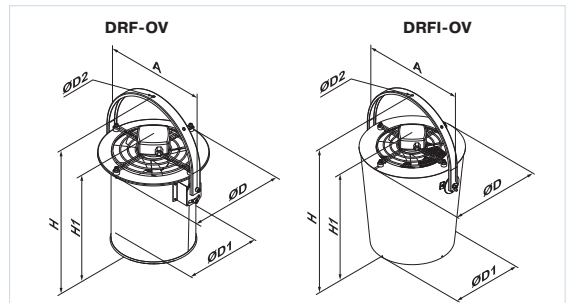
Technical data:

	DRF-OV 250 DRFI-OV 250	DRF-OV 300 DRFI-OV 300	DRF-OV 350 DRFI-OV 350
Voltage [V / 50 Hz]	1~ 230	1~ 230	1~ 230
Power [W]	50	75	140
Current [A]	0.22	0.35	0.65
Max. air capacity [m³/h]	800	1240	2500
RPM [min ⁻¹]	1380	1250	1380
Range of air stream [m]	8	9	10
Effective range [m]	6-9	8-11	10-13
Influence area [m²]	28-64	50-95	78-133
Noise level at 3m [dBA]	53 / 46*	56 / 49*	60 / 53*
Max. transported air temperature [°C]	60	60	60
Protection rating	IP X4	IP X4	IP X4

* parameter for DRFI

Overall dimensions:

Model	Dimensions [mm]						Weight [kg]
	A	H	H1	ØD	ØD1	ØD2	
DRF-OV 250	390	524	386	341	200	9.1	6.0
DRF-OV 300	442	620	456	392	216	9.1	7.2
DRF-OV 350	490	705	516	442	260	9.1	9.7
DRFI-OV 250	456	626	468	381	302	9.1	11.0
DRFI-OV 300	506	701	518	434	352	9.1	14.5
DRFI-OV 350	556	776	567	484	402	9.1	17.0



DRF-OV
DRFI-OV
DESTRATIFIERS