

Sensor speed controller

SRS-1

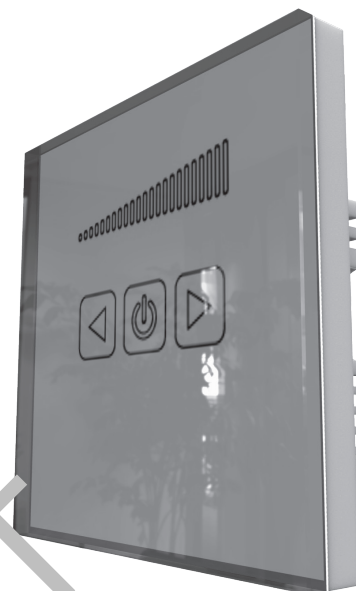


DESCRIPTION

The speed controller is equipped with a sensitive sensor panel made of hardened glass, with the button and two buttons for speed control from minimum () to maximum value ().

TECHNICAL DATA

Power supply voltage [V/Hz]	230 / 50-60
Maximum load current [A]	1
Cable cross section [mm ²]	from 0,35 up to 1
Temperature range [°C]	from -10 up to +45
Humidity range [%]	5-80 (no condensation)
Service life	100 000 switching operations
Ingress Protection Rating	IP 30
Weight [g]	138



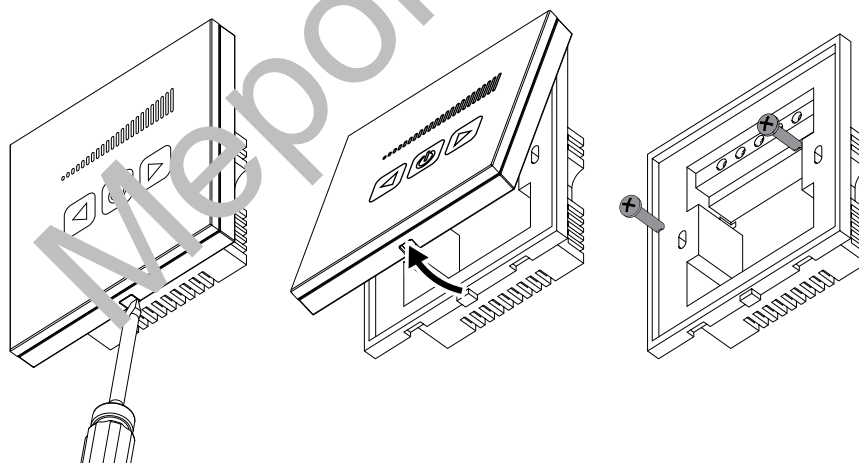
MOUNTING

WARNING!

Make sure that the speed controller is not damaged. Do not operate a damaged speed controller! Do not install the speed controller on an uneven surface! Do not apply excessive forces to avoid the product deformation.

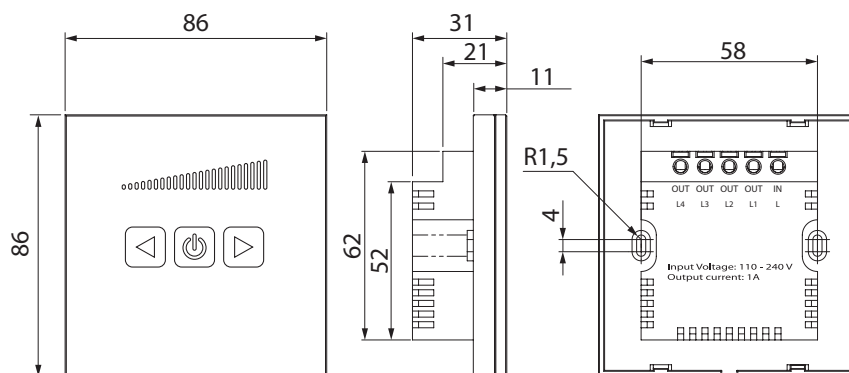
Mounting sequence of the sensor speed controller:

- Unfasten gently the front panel latches of the speed controller.
- Unfasten gently the front panel latches of the speed controller.
- Route the cable in the wall to the panel mounting place.
- Attach the back panel to the wall or in the mounting box through the fastening openings.
- Install the front panel on the latches.



Sensor speed controller mounting

OVERALL AND CONNECTING DIMENSIONS



Speed controller outline drawing

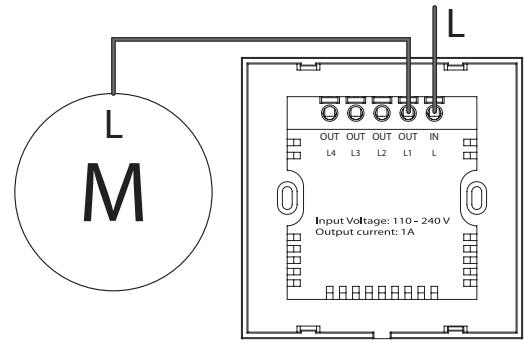
WIRING DIAGRAM

WARNING!

All the operations with the products are allowed after power supply cutoff.
All mounting, addition, modification and maintenance operation for electric equipment must be performed by qualified electricians with a work permit for electric operations.

Connect the speed controller to ventilation units and domestic fans in compliance with the wiring diagram below.

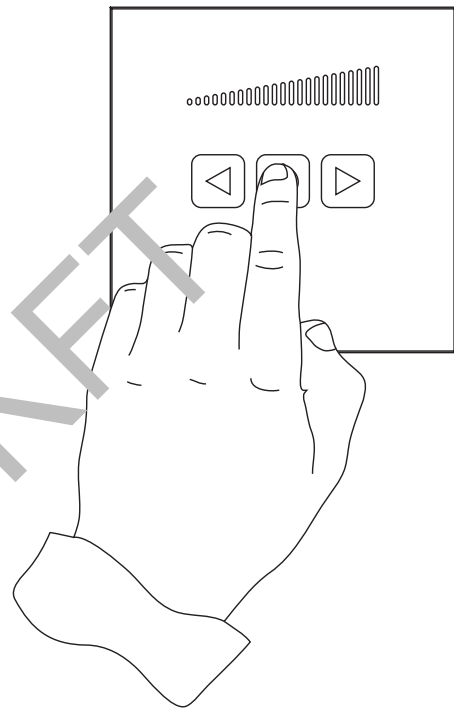
230 V, 50/60 Hz



Speed controller wiring diagram

CONTROL

Operation	Key
When connected to power mains the button has blue soft light	
To turn ventilation equipment on press the button	
To turn ventilation equipment off press the button	
To decrease ventilation equipment speed press the button	
To increase ventilation equipment speed press the button	
Minimum speed setting:	
1. Press and hold the button for about 5 seconds until the indicator shows about 50 % of the operating speed range (that helps distinguish the setup mode from the operating mode). The ventilation equipment will operate with maximum speed.	
2. Set minimum speed:	
To set speed up press the button	
To set speed down press the button	
The set speed level is displayed on the LED indicator	
To save set point press the button	
To turn fan on and to activate its operation in set mode press the button	
The minimum speed set point will be saved.	



Speed controller operation

Every time you enter the set up mode the previous minimum fan speed is set as 100 % of the total capacity by default.

WARRANTY

Warranty period is 12 months since the sales date.

The Supplier bears no responsibility for any damages of the product incurred by violation of the transportation rules, product misuse, unauthorized modification or repair.

SENSOR SPEED CONTROLLER SRS-1
is duly recognized as serviceable.

Approval mark _____ Date of manufacture _____

Sold by
name and stamp of the trade company _____

Date of sale _____

V95EN-02